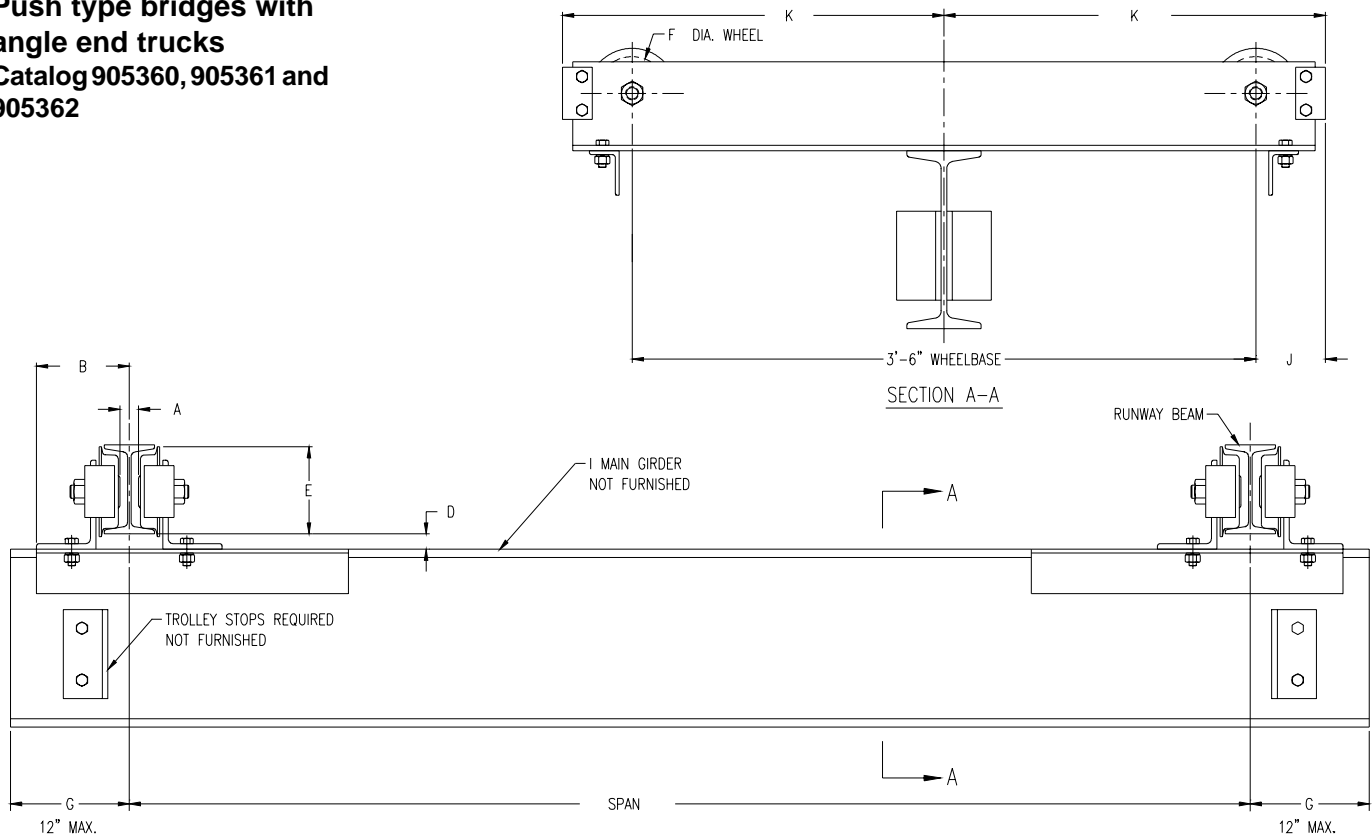
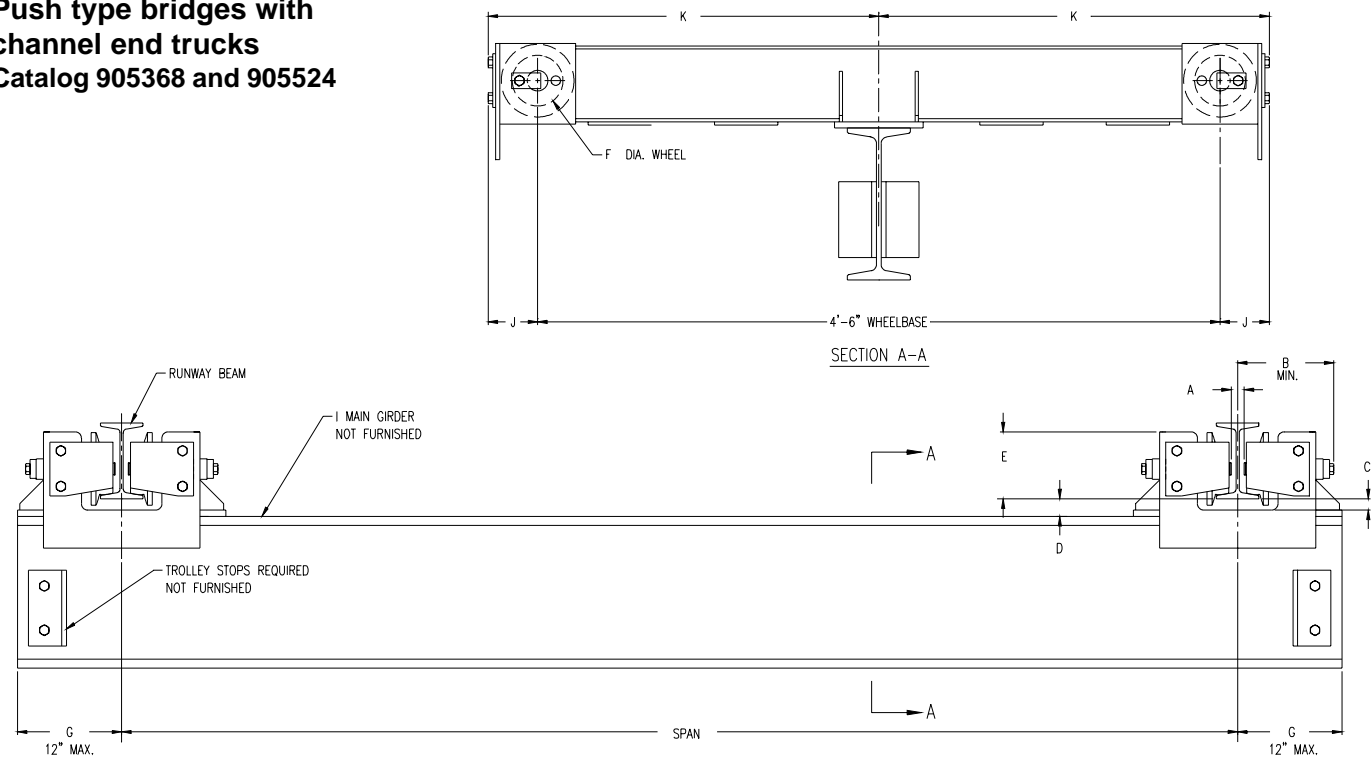


**Push type bridges with  
angle end trucks**  
Catalog 905360, 905361 and  
905362



**Push type bridges with  
channel end trucks**  
Catalog 905368 and 905524



Dimension C = Dimension D Minus 1/2 inch