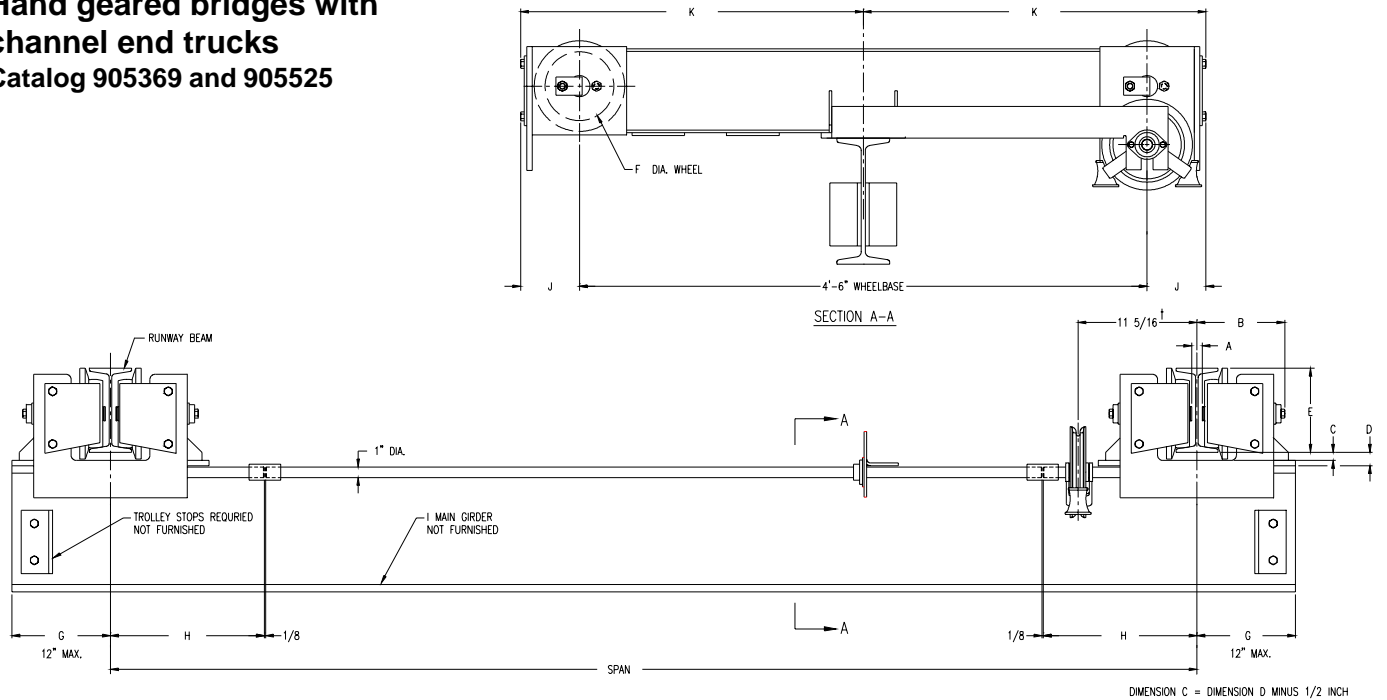


### Hand geared bridges with channel end trucks Catalog 905369 and 905525



### Clearance Dimensions (in.)

Product Code	Rated Capacity (tons)	Max. Span (ft)	Runway Beam Sizes**			A	B	C	D	E	F Wheel Dia.	G Min.	H	J†	K
			Min Beam Width	Min. Flange Width	Max. Flange Width										
<b>Hand Geared Type End Trucks</b>															
905369	3	36	S6x12.5	3-3/8	5-1/2	1-1/8	7-13/16	15/16	1-7/16	5-1/8	4	8-1/4	14	5-1/4	2' - 7"
905525	5		S8x18.4	4	6-1/4	3/4	8-11/16	13/16	1-5/16	8	6-1/2	9-3/8	14-5/8	5-1/2	2' - 8-5/8"

\*\*Runway beam sizes shown indicate range of beams that trucks will fit. For proper runway size, consult qualified engineer or architect.

End trucks for wider flange beams or 3-1/4" patented track are available.

Dimensions A, B, C, D and E are based on minimum beam.

† Dimension with rubber bumpers: 3 ton catalogs 905369 = 7 3/8 and 5 ton catalogs 905525 = 8-7/8.